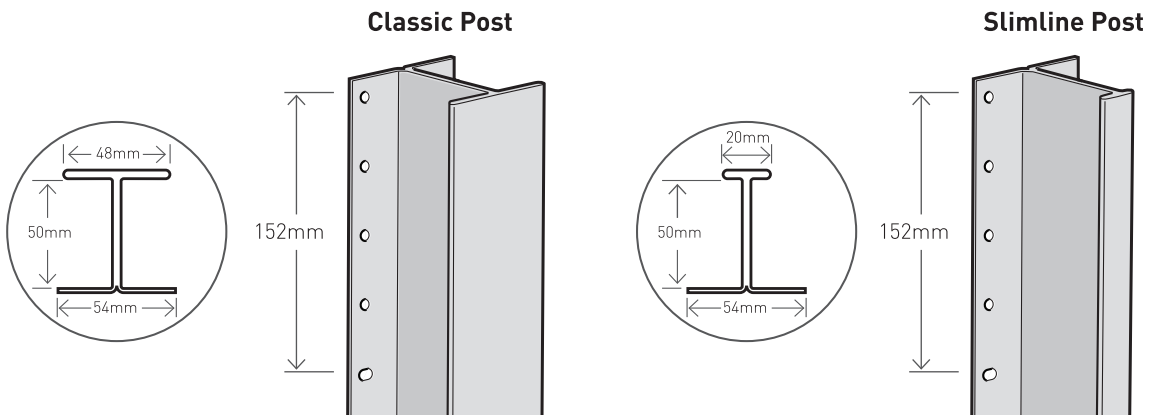


DuraPost®

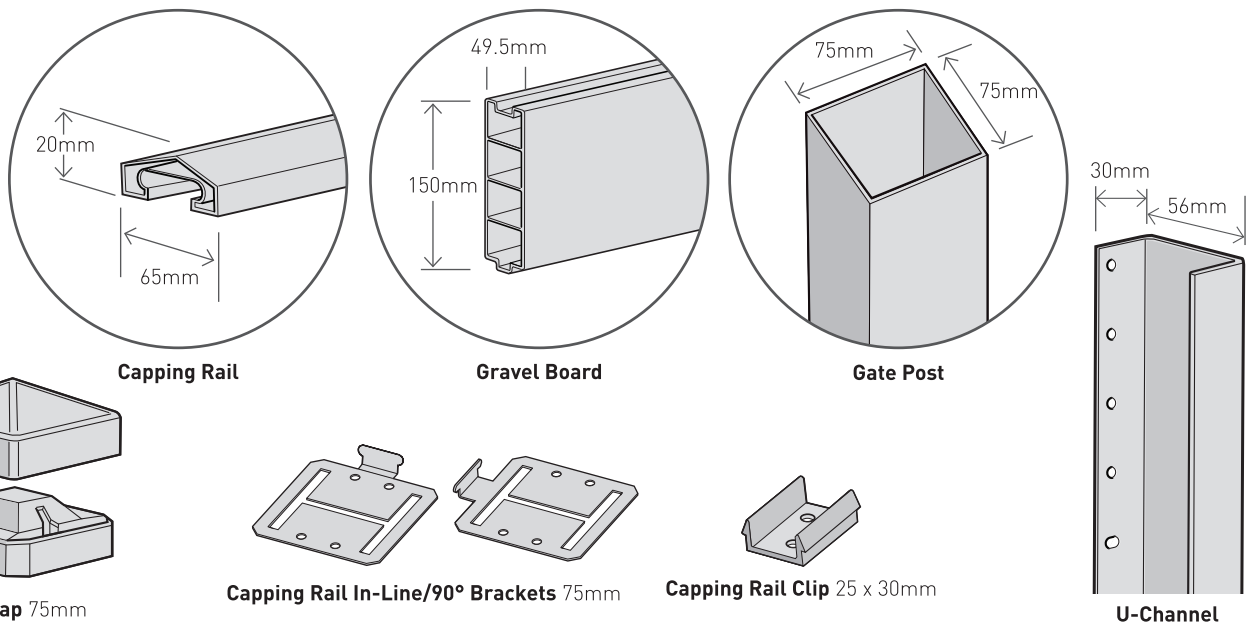
BY FENCEMATE®

SPECIFICATION SHEET

PRODUCT	WIDTH/SIZE(mm)	LENGTH(m)	COLOUR	MATERIAL
CLASSIC POST	48 x 54	1.8 / 2.4 / 2.7 / 3		Galvanised Steel
SLIMLINE POST	20 x 54	2.4 / 2.7 / 3		Galvanised Steel
POST CAP	75 x 75	-		Galvanised Steel
CAPPING RAIL	65	1.83 / 2.45 / 3		Aluminium
U-CHANNEL	52 x 30	1.8 / 2.1 / 3		Galvanised Steel
3" GATE POST	75 x 75	1.8 / 2.4 / 3		Galvanised Steel
GRAVEL BOARD	150 x 49.5	1.83 / 2.44 / 3		Composite



Posts are designed to be 2ft (600mm) in the ground with a 1.8m fence height, per industry norm.



All FENCEMATE DuraPost® (hereafter "DuraPost") products come with a one year guarantee against manufacturing defects starting from the date of purchase. In order to validate your warranty, you must register your product within 30 days of purchase.

Validate your warranty online at: www.birkdalesales.com

Wind tested up to 110mph
 Building Research Est.
 DuraPost - Static Load Test
 Report P113485-1000